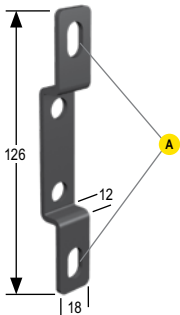
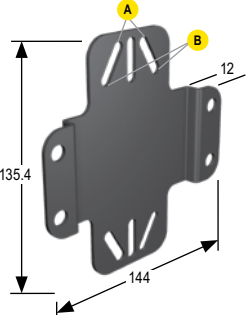
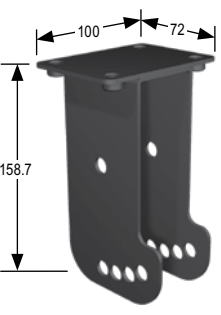
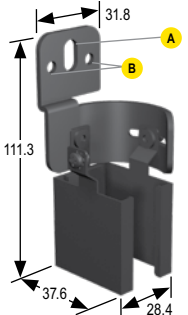






STBA-RB1-MB1	STBA-RB1-MB2	STBA-RB1-MB3	USCMB-..
 <p>All measurements in mm</p>	 <p>All measurements in mm</p>	 <p>All measurements in mm</p>	 <p>All measurements in mm</p>
<p>Hole center spacing: A = 106 Hole size: A = 9 x 15</p>	<p>Hole center spacing: A = 20, B = 40, A to B = 20 Hole size: A, B = 27 x 7</p>	<p>NA</p>	<p>Hole center spacing: B = 19.9, A to B = 10 Hole size: A = 12.2 x 7.1, B = ø 4.8</p>
<ul style="list-style-type: none"> • Pair of wall-mount brackets; run bar "hangs" on vertical surface • Slotted holes for vertical adjustment • 12-ga. cold-rolled steel with black powdercoat paint 	<ul style="list-style-type: none"> • Universal-mount bracket; allows run bar to mount to vertical stand or surface • Slotted holes for adjustment • 12-ga. cold-rolled steel with black powdercoat paint 	<ul style="list-style-type: none"> • Swivel-mount bracket; mounts to telescoping stand • Holes for radial adjustment, 0° to 30° in 10° increments • 12-ga. cold-rolled steel with black powdercoat paint 	<ul style="list-style-type: none"> • Two-piece center mounting replacement kit for bracket that comes with emitter/receiver • 13-ga. cold-rolled steel with black power coat paint • Bracket hardware included
<p>Wall Mount</p>	<p>Wall/Stand Mount</p>	<p>Stand Mount</p>	<p>Center Bracket</p>
 <p>Used with</p>	 <p>Used with</p>	 <p>Used with</p>	 <p>Used with</p>
<p>DUO-TOUCH Run Bar</p>	<p>DUO-TOUCH Run Bar</p>	<p>DUO-TOUCH Run Bar</p>	<p>EZ-SCREEN Type 2</p>
<p>NOTE: Included with telescoping stands STBA-RB1-S1 and STBA-RB1-S2</p>			<p>NOTE: USCMB-1 fits emitters/receivers 600 to 900 mm long USCMB-2 fits emitters/receivers 1050 mm and longer</p>

- Accessories
- Brackets
- Cordsets
- Retroreflectors
- Miscellaneous
- Reference

